



SERVICE PARTS MANUAL
GEM1306Air and MFI1506Air
GEM1306Remote and MFI1506Remote
GEM2006Remote and MFI2306Remote



14-1036

Date 9-18-2024

This parts list contains the service parts available for the GEM-MFI Series icemakers listed below:

GEM1306A=Air Cooled

MFI1506A=Air Cooled

GEM1306R=Remote Cooled

MFI1506R=Remote Cooled

GEM2006R=Remote Cooled

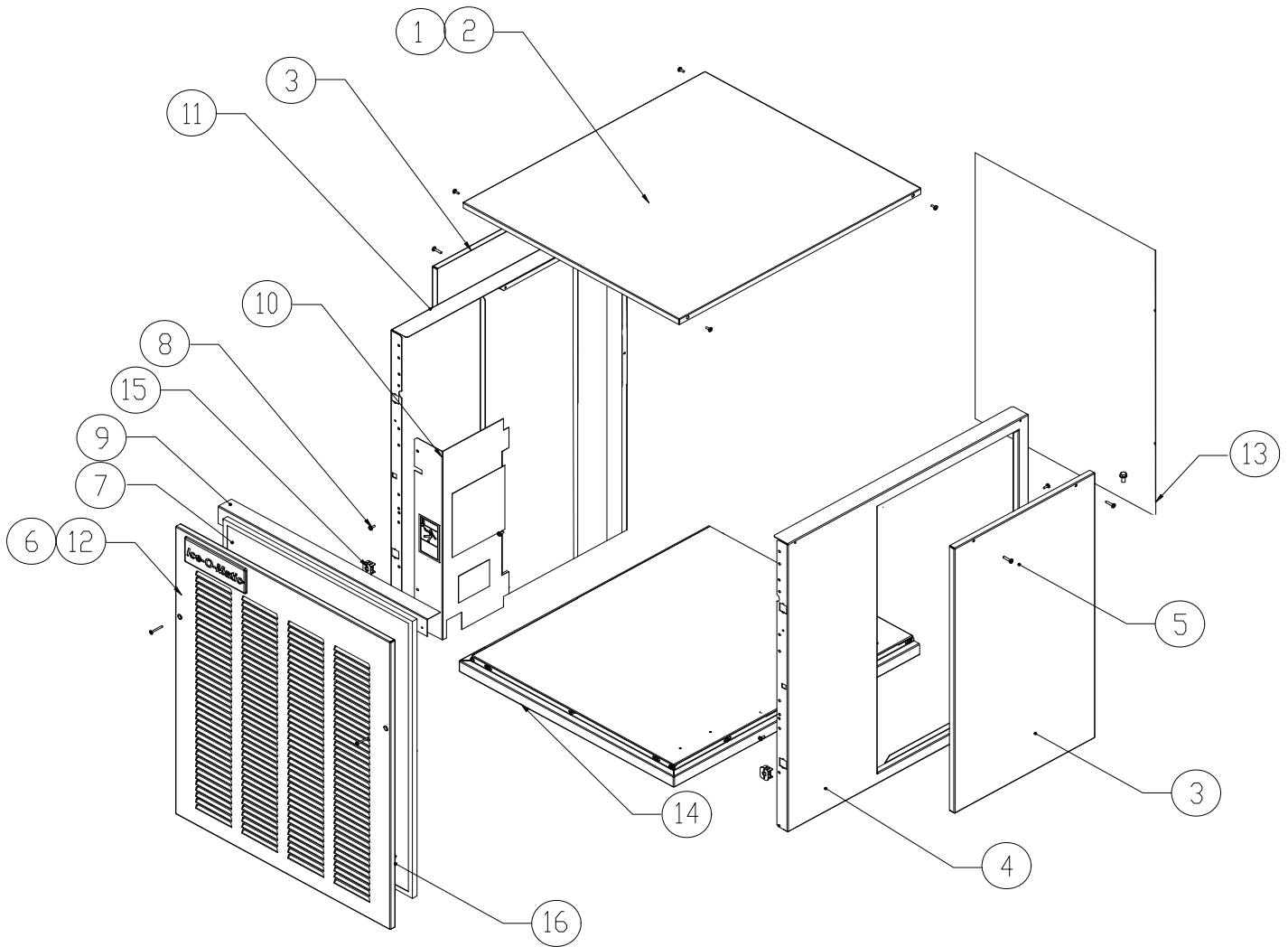
MFI2306R=Remote

Check the model number on the data plate and refer to the correct listing for the specific component.

Check carefully that the correct part is identified and ordered.

Table of Contents	Page 1
Cabinet Assembly	Page 2
Air Cooled	Page 3 - 4
Remote Cooled	Page 5 - 6
Down Chute/Water System	Page 7 - 8
Control Box	Page 9
Gearmotor	Page 10
Evaporator	Page 11 - 12

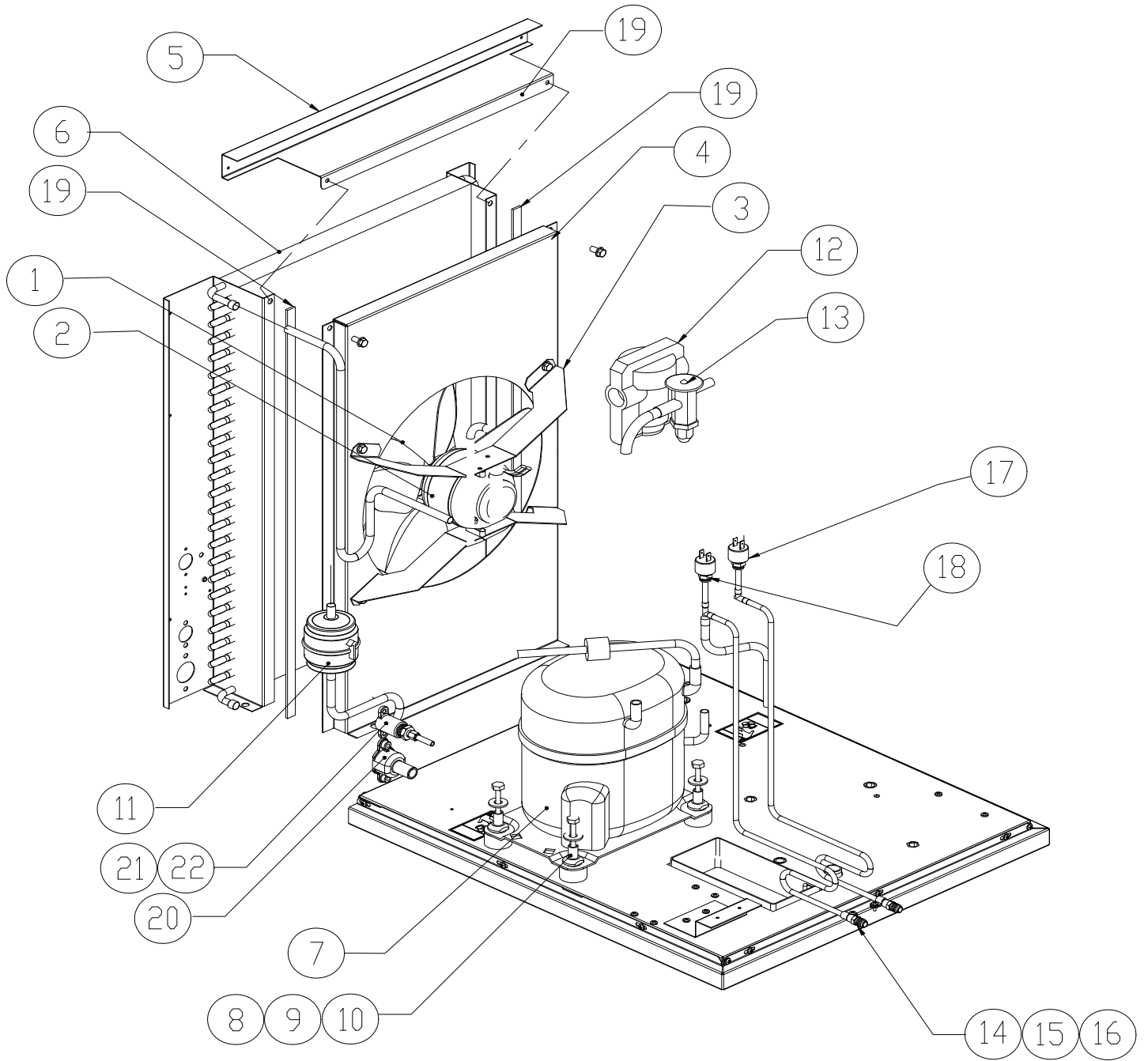
Ice-O-Matic
11100 East 45th Ave.
Denver Co. 80239
800-423-3367



Item No.	Model Number						Description
	GEM1306A	GEM1306R	GEM2006R	MFI1506A	MFI1506R	MFI1236R	
1	3021951-01	3021951-01	3022034-01	3021951-01	3021951-01	3022034-01	Panel, Top
2	9031046-27	9031046-27	9031046-27	9031046-27	9031046-27	9031046-27	Screw
3	3021953-01	3021953-01	3021953-01	3021953-01	3021953-01	3021953-01	Panel, Service
4	3021952-01	3021952-01	3021952-01	3021952-01	3021952-01	3021952-01	Panel, End, Right
5	9031113-14	9031113-14	9031113-09	9031113-14	9031113-14	9031113-09	Screw
6	2031515-01	2031519-01	2031548-01	2031515-01	2031519-01	2031548-01	Front Panel
7	9131475-01	NA	NA	9131475-01	NA	NA	Air Filter
8	9031046-27	9031046-27	9031046-03	9031046-27	9031046-27	9031046-03	Screw
9	2021701-01	2021701-01	3011381-01	2021701-01	2021701-01	3011381-01	Front Brace
10	3013391-01	3013391-01	3013391-01	3013391-01	3013391-01	3013391-01	Control Box Cover
11	3021950-01	3021950-01	3021950-01	3021950-01	3021950-01	3021950-01	Panel, End, Left
12	9031045-07	9031045-07	9031045-07	9031045-07	9031045-07	9031045-07	Screw
13	NA	3013392-01	3013785-01	NA	3013392-01	3013785-01	Panel, Rear
14	2021699-01	2021699-01	2021827-01	2021699-01	2021699-01	2021827-01	Base
15	9021112-01	9021112-01	9021112-01	9021112-01	9021112-01	9021112-01	Cabinet Catch
16	9021121-01	9021121-01	9021121-01	9021121-01	9021121-01	9021121-01	Strike

2031515-01 Louvered Front Panel

2031519-01 2031548-01 Solid Front Panel-No Louvers



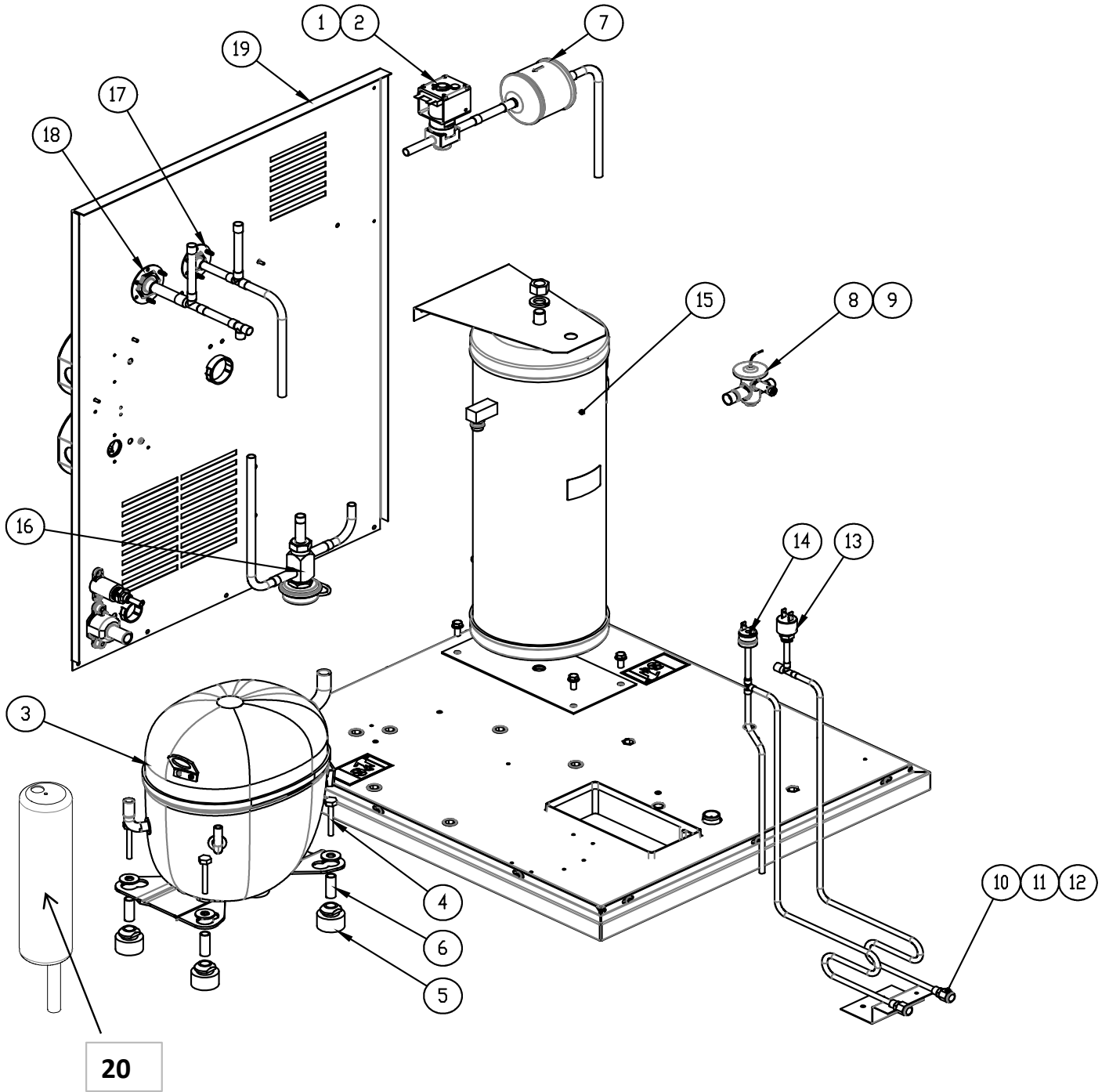
GEM-MFI Series Service Parts

Air Cooled

Item	Model Number			
No.	GEM1306A		MFI1506A	Description
1	9131383-01		9131383-01	Fan Blade
2	9161125-01		9161125-01	Fan Motor
3	3013582-01		3013582-01	Fan Bracket
4	3013586-01		3013586-01	Fan Shroud
5	3013378-01		3013378-01	Fan Shroud Cover
6	9141138-01		9141138-01	Air Condenser
7	9181153-11		9181153-11	Compressor
8	9031001-41		9031001-41	Compressor Bolt
9	9181002-09		9181002-09	Compressor Grommet
10	9181002-02		9181002-02	Compressor Grommet Sleeve
11	9151163-03		9151163-03	Drier
12	9131143-02		9131143-02	Expansion Valve Insulation
13	9151182-01		9151182-01	Expansion Valve
14	9091086-01		9091086-01	Service Valve Body
15	9091086-02		9091086-02	Service Valve Core
16	9091086-03		9091086-03	Service Valve Cap
17	9041111-01		9041111-01	Hi Pressure Cut Out 9041091-01 NLA
18	9041102-01		9041102-01	Low Pressure Cut Out
19	6081004-07		6081004-07	Gasket Strip, Flat 4 Ft. Required
20	9091140-01		9091140-01	Drain Fitting
21	9091074-01		9091074-01	Drop Adapter
22	9091083-01		9091083-01	Water Inlet Fitting

Compressor and Starting Components

Item	Model Number			
No.	GEM1306A		MFI1506A	Description
1	9181153-11		9181153-11	Compressor Kit
2	9181009-17		9181009-17	Run Capacitor
3	9181003-52		9181003-52	Start Capacitor
4	9181010-04		9181010-04	Compressor Relay
5	Internal		Internal	Overload

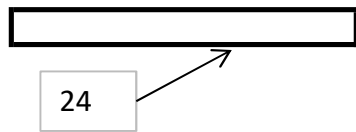
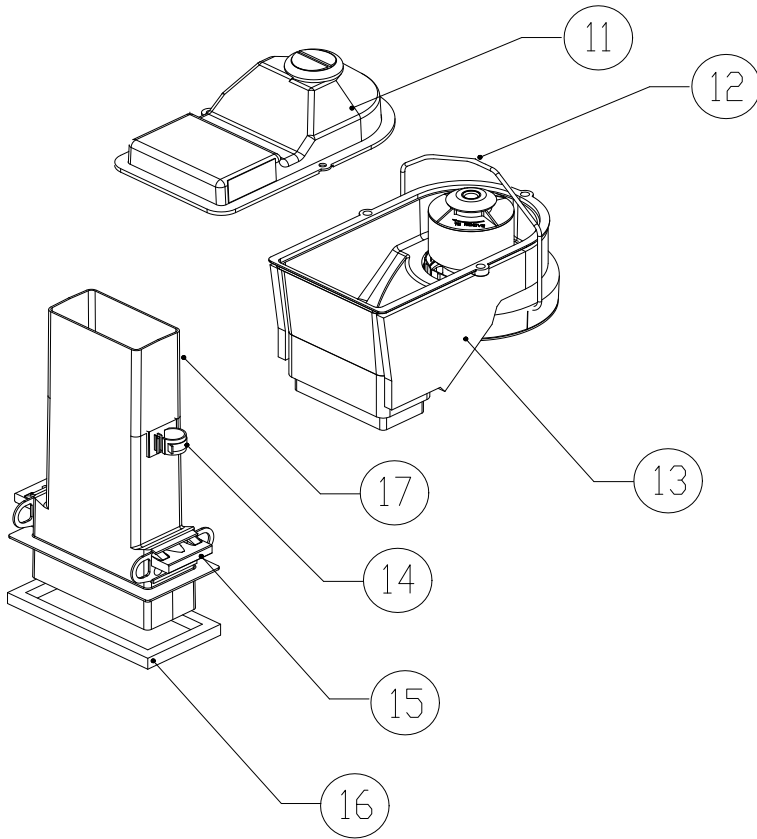
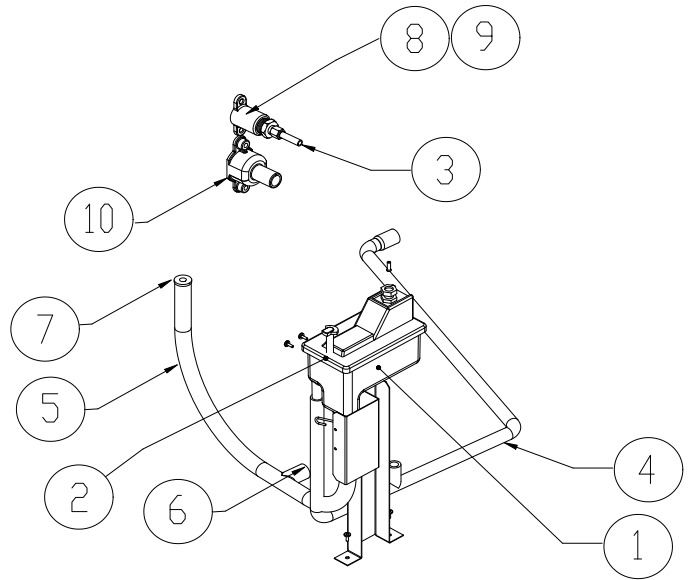


Item No.	Model Number					Description
	GEM1306R	GEM2006R		MFI1256R	MFI2306R	
1	9151123-01	9151192-02		9151123-01	9151192-02	Liquid Line Solenoid Body
2	9151123-04	9151193-02		9151123-04	9151193-02	Liquid Line Solenoid Coil
3	9181153-11	9181199-11		9181153-11	9181199-11	Compressor
4	9031001-41	9031001-41		9031001-41	9031001-41	Compressor Bolt
5	9181002-09	9181002-09		9181002-09	9181002-09	Compressor Grommet
6	9181002-02	9181002-02		9181002-02	9181002-02	Compressor Grommet Sleeve
7	9151163-03	9151163-03		9151163-03	9151163-03	Drier
8	9131143-02	9131544-01		9131143-02	9131544-01	Expansion Valve Insulation
9	9151182-01	9151182-01		9151182-01	9151182-01	Expansion Valve
10	9091086-01	9091086-01		9091086-01	9091086-01	Service Valve Body
11	9091086-02	9091086-02		9091086-02	9091086-02	Service Valve Core
12	9091086-03	9091086-03		9091086-03	9091086-03	Service Valve Cap
13	9041111-01	9041111-01		9041111-01	9041111-01	Hi Pressure Cut Out
14	9041102-01	9041115-01		9041102-01	9041115-01	Low Pressure Cut Out
15	9151159-01	9151060-01		9151159-01	9151060-01	Receiver
16	9151027-05	9151027-07		9151027-05	9151027-07	Head Pressure Control Valve
17	9091001-11	9091001-11		9091001-11	9091001-11	Quick Connect Fitting 3/8
18	9091001-12	9091001-12		9091001-12	9091001-12	Quick Connect Fitting 1/2
19	3013392-01	3013785-01		3013392-01	3013785-01	Rear Panel
20	9151164-01	9151201-01		9151164-01	NA	Accumulator

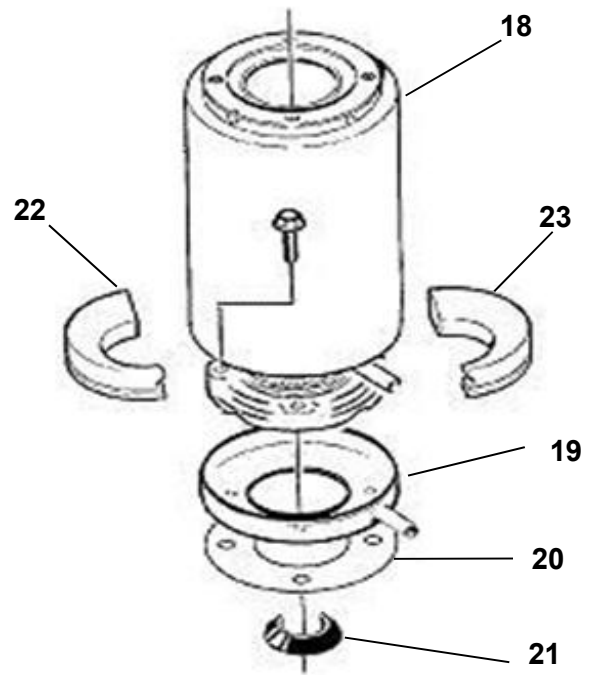
Compressor and Starting Components

Item No.	Model Number					Description
	GEM1306R	GEM2006R		MFI1256R	MFI2306R	
1	9181153-11	9181199-11		9181153-11	9181199-11	Compressor Kit
2	9181009-17	9181009-20		9181009-17	9181009-20	Run Capacitor
3	9181003-52	NA		9181003-52	NA	Start Capacitor
4	9181010-04	NA		9181010-04	NA	Compressor Relay
5	Internal	Internal		Internal	Internal	Overload

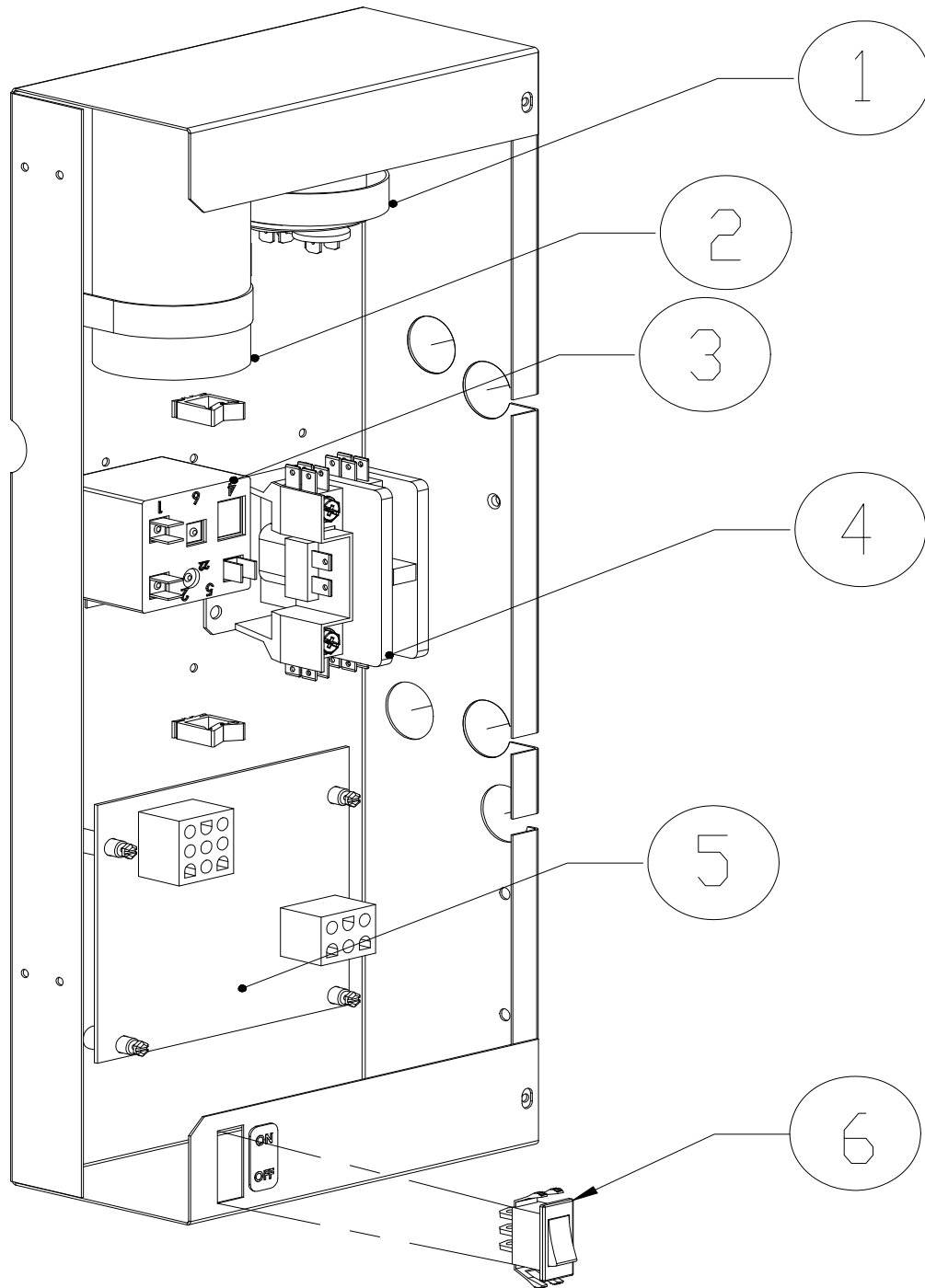
Head Pressure Control Valve for the Model GEM2006R and the MFI2306R is located in the Remote Condenser



#24 wraps around evap, replacing #22 and #23

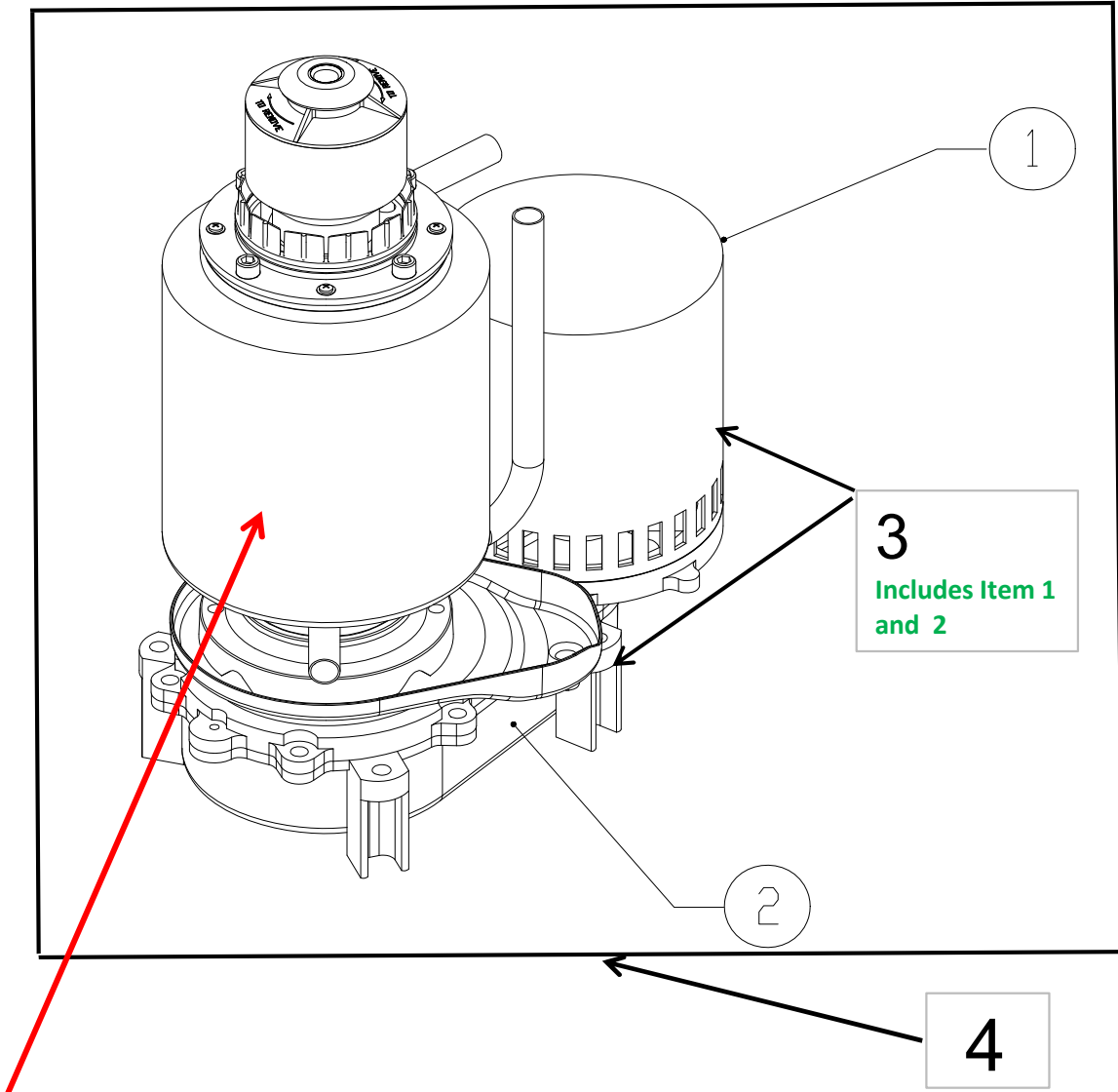


Item No.	Model Number						Description
	GEM1306A	GEM1306R	GEM2006R	MFI1506A	MFI1506R	MFI2306R	
1	9131481-01	9131481-01	9131481-01	9131481-01	9131481-01	9131481-01	Float Assembly
2	9101334-01	9101334-01	9101334-01	9101334-01	9101334-01	9101334-01	Probe-Conductivity
3	3032898-40	3032898-40	NA	3032898-40	3032898-40	NA	1/4 OD Polyethylene Tube (40")
	NA	NA	3022898-07	NA	NA	3022898-07	1/4 OD Polyethylene Tube (7")
	NA	NA	3022898-26	NA	NA	3022898-26	1/4 OD Polyethylene Tube 26")
	NA	NA	9091184-01	NA	NA	9091184-01	Tee, Push to Connect
4	9051606-01	9051606-01	9051804-01	9051606-01	9051606-01	9051804-01	Tube, Water Drain
5	9051619-01	9051619-01	9051805-01	9051619-01	9051619-01	9051805-01	Tube, Evaporator Water Inlet
6	9021147-01	9021147-01	9021147-01	9021147-01	9021147-01	9021147-01	Clamp
7	9051610-01	9051610-01	9051610-01	9051610-01	9051610-01	9051610-01	Plug
8	9091074-01	9091074-01	9091074-01	9091074-01	9091074-01	9091074-01	Drop Adapter Fitting
9	9091083-01	9091083-01	9091083-01	9091083-01	9091083-01	9091083-01	Water Inlet Fitting
10	9091140-01	9091140-01	9091140-01	9091140-01	9091140-01	9091140-01	Drain Fitting
11	9051602-01	9051602-01	9051602-01	9051602-01	9051602-01	9051602-01	Cover-Ice Chute
12	9131494-01	9131494-01	9131494-01	9131494-01	9131494-01	9131494-01	Clamp-Ice Chute
13	9131495-01	9131495-01	9131495-01	9131495-01	9131495-01	9131495-01	Ice Chute and Foam Assembly
14	9021116-01	9021116-01	9021116-01	9021116-01	9021116-01	9021116-01	Clip-Hose
15	1051166-01	1051166-01	1051166-01	1051166-01	1051166-01	1051166-01	Bin Control Assembly Set of 2
16	9051614-01	9051614-01	9051614-01	9051614-01	9051614-01	9051614-01	Gasket, Ice Chute
17	9051601-02	9051601-02	9051601-02	9051601-02	9051601-02	9051601-02	Ice Chute,Lower
18	9151169-01	9151169-01	9151169-01	9151169-01	9151169-01	9151169-01	Evaporator
19	9051632-01	9051632-01	9051632-01	9051632-01	9051632-01	9051632-01	Drip Pan
20	9131486-01	9131486-01	9131486-01	9131486-01	9131486-01	9131486-01	Drip Pan Gasket
21	9051611-01	9051611-01	9051611-01	9051611-01	9051611-01	9051611-01	Water Shed
22	1011380-178	1011380-178		1011380-178	1011380-178		Insulation NLA-See Item 24
23	1011380-179	1011380-179		1011380-179	1011380-179		Insulation NLA-See Item 24
24	9021140-01	9021140-01		9021140-01	9021140-01		Insulation Replaces 22 and 23



Item No.	Model Number						Description
	GEM1306A	GEM1306R	GEM2006R	MFI1506A	MFI1506R	MFI2306R	
1	See Page 6	See Page 6	See Page 6	See Page 6	See Page 6	See Page 6	Run Capacitor
2	See Page 6	See Page 6	See Page 6	See Page 6	See Page 6	See Page 6	Start Capacitor
3	See Page 6	See Page 6	See Page 6	See Page 6	See Page 6	See Page 6	Compressor Relay
4	9101002-06	9101002-06	9101002-06	9101002-06	9101002-06	9101002-06	Contactur
5	9101335-01	9101335-01	9101335-01	9101335-01	9101335-01	9101335-01	Board
6	9101139-04	9101139-04	9101139-04	9101139-04	9101139-04	9101139-04	Switch

The GEM2006R and the MFI2306R use 2 Boards, the 2 Boards are the SAME Part Number



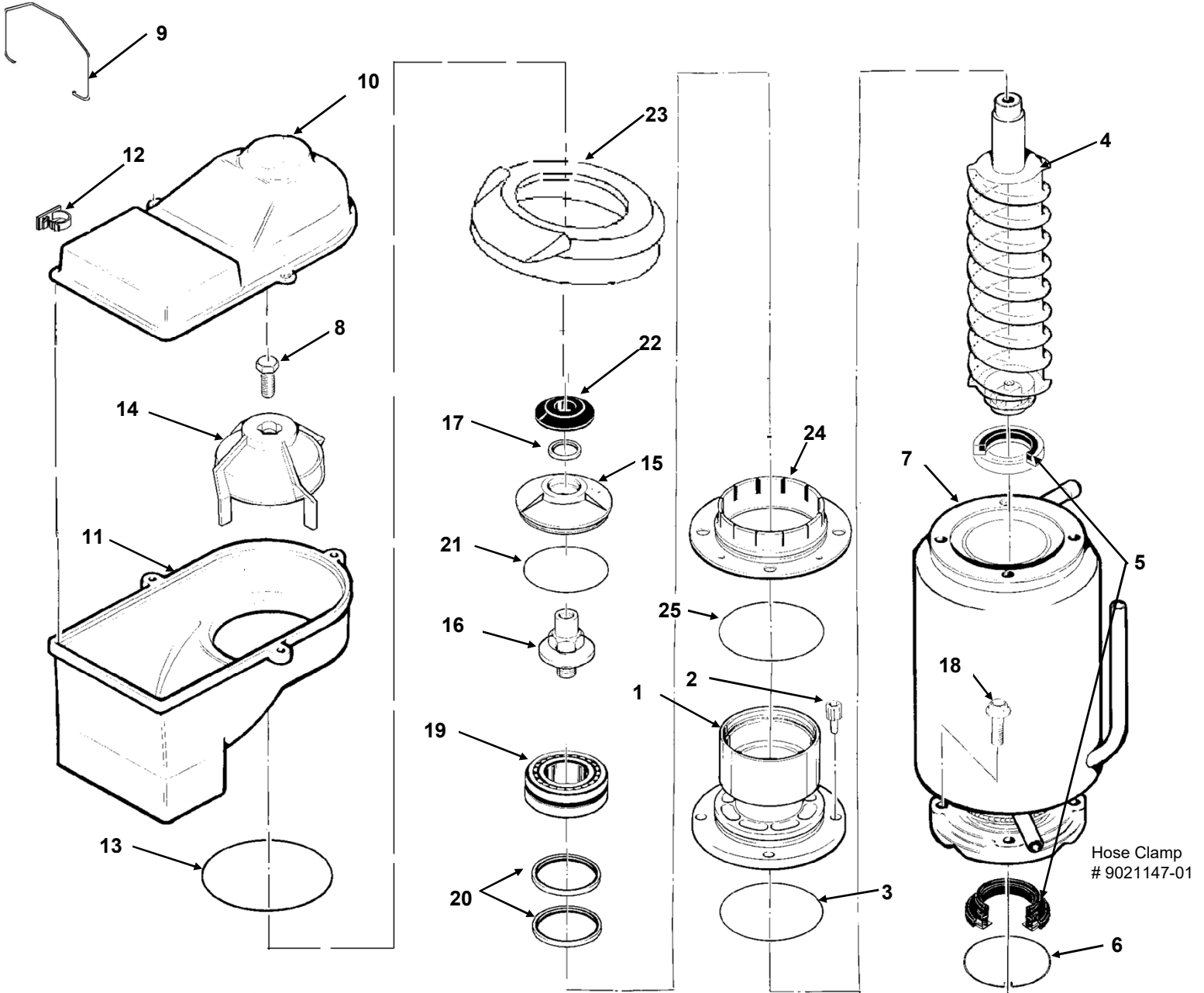
The Evaporator IS NOT AVAILABLE AS AN ASSEMBLY, INDIVIDUAL COMPONENTS MUST BE ORDERED
 The Evaporator only as an assembly is not available because there is no way to support the lower portion of the Auger.

Item No.	Model Number						Description
	GEM1306A	GEM1306R	GEM2006R	MFI1506A	MFI1506R	MFI2306R	
1	9161140-01	9161140-01	9161140-01	9161140-01	9161140-01	9161140-01	Drive Motor Only
2	9161141-01	9161141-01	9161141-01	9161141-01	9161141-01	9161141-01	Gear Box Assembly Only
3	9161126-01S	9161126-01S	9161126-01S	9161126-01S	9161126-01S	9161126-01S	Drive Motor-Gear Box Assy
4	2081044-06AS	2081044-06AS	2081044-06AS	2081044-05AS	2081044-05AS	2081044-05AS	Complete Assembly*

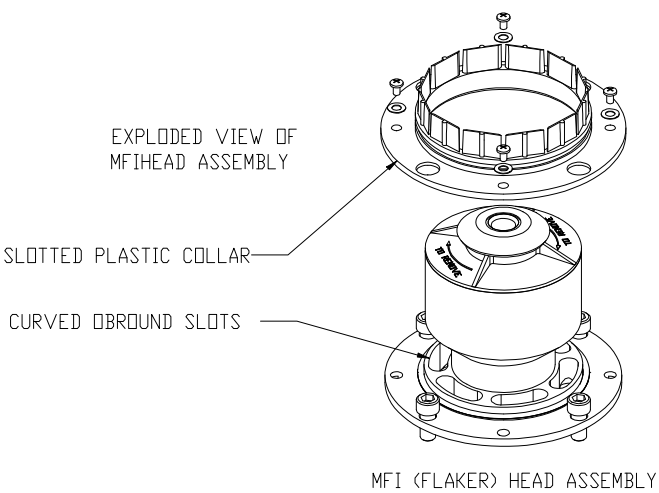
*Note: Complete Assembly includes Drive Motor, GearBox Assembly and Evaporator Assembly

Lubricants			
		6051073-01	Requires 14 oz.
		9131560-01	
		6051062-01	
			Gear Box Lubricant
			Grease Needle
			Upper Bearing Grease

Note: Units manufactured from July 1, 2019 have a Solid Oil Surface Bearing that are relubrication free.

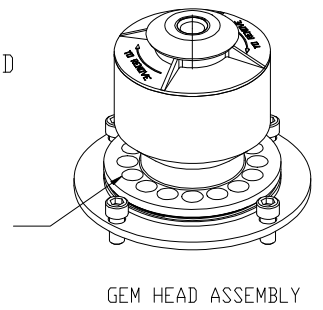


Hose Clamp
9021147-01



NOTE DIFFERENCE BETWEEN MFI HEAD
ASSEMBLY AND GEM HEAD ASSEMBLY

ROUND EXTRUSION HOLES
WITH NO SLOTTED
PLASTIC COLLAR



Item No.	Model Number						Description
	GEM1306A	GEM1306R	GEM2006R	MFI1506A	MFI1506R	MFI2306R	
1	1051220-01	1051220-01	1051220-01	1051221-01	1051221-01	1051221-01	Breaker (Includes items 3,15,17,19,21,22,25)
2	9031169-02	9031169-02	9031169-02	9031169-02	9031169-02	9031169-02	Socket Head Screw
3	9051636-01	9051636-01	9051636-01	9051636-01	9051636-01	9051636-01	O-Ring
4	9151196-01	9151196-01	9151196-01	9151196-01	9151196-01	9151196-01	Auger
5	9021142-01	9021142-01	9021142-01	9021142-01	9021142-01	9021142-01	Water Seal
6	9021141-01	9021141-01	9021141-01	9021141-01	9021141-01	9021141-01	Ring, Water Seal
7	9151169-01	9151169-01	9151169-01	9151169-01	9151169-01	9151169-01	Evaporator-Barrel Only
8	9031001-44	9031001-44	9031001-44	9031001-44	9031001-44	9031001-44	Hex Cap Screw
9	9131494-01	9131494-01	9131494-01	9131494-01	9131494-01	9131494-01	Bail Clamp
10	9051602-01	9051602-01	9051602-01	9051602-01	9051602-01	9051602-01	Ice Chute Cover
11	9131495-01	9131495-01	9131495-01	9131495-01	9131495-01	9131495-01	Ice Chute Body with Insulation
12	9021116-01	9021116-01	9021116-01	9021116-01	9021116-01	9021116-01	Drain Hose Clip
13	9051634-01	9051634-01	9051634-01	9051634-01	9051634-01	9051634-01	O-Ring
14	9051603-01	9051603-01	9051603-01	9051603-01	9051603-01	9051603-01	Ice Sweep
15	9151171-01	9151171-01	9151171-01	9151171-01	9151171-01	9151171-01	Breaker Cover
16	9151168-01	9151168-01	9151168-01	9151168-01	9151168-01	9151168-01	Auger Stud
17	9121054-01	9121054-01	9121054-01	9121054-01	9121054-01	9121054-01	Lip Seal
18	9031001-42	9031001-42	9031001-42	9031001-42	9031001-42	9031001-42	Cap Screw
19	9121052-01A	9121052-01A	9121052-01A	9121052-01A	9121052-01A	9121052-01A	Bearing
20	9121053-01	9121053-01	9121053-01	9121053-01	9121053-01	9121053-01	Lip Seal
21	9051635-01	9051635-01	9051635-01	9051635-01	9051635-01	9051635-01	O-Ring
22	9051611-01	9051611-01	9051611-01	9051611-01	9051611-01	9051611-01	Water Shed
23	9051613-02	9051613-02	9051613-02	9051613-01	9051613-01	9051613-01	Insulation Collar
24	N/A	N/A	N/A	9051638-01	9051638-01	9051638-01	Slotted collar
25	N/A	N/A	N/A	9051637-01	9051637-01	9051637-01	O-Ring

26 9021147-01

Hose Clamp

Note: Units manufactured from July 1, 2019 have a Solid Oil Surface Bearing that are relubrication free.

Note: Reference Page 10 for Lubricant and Grease Needle

